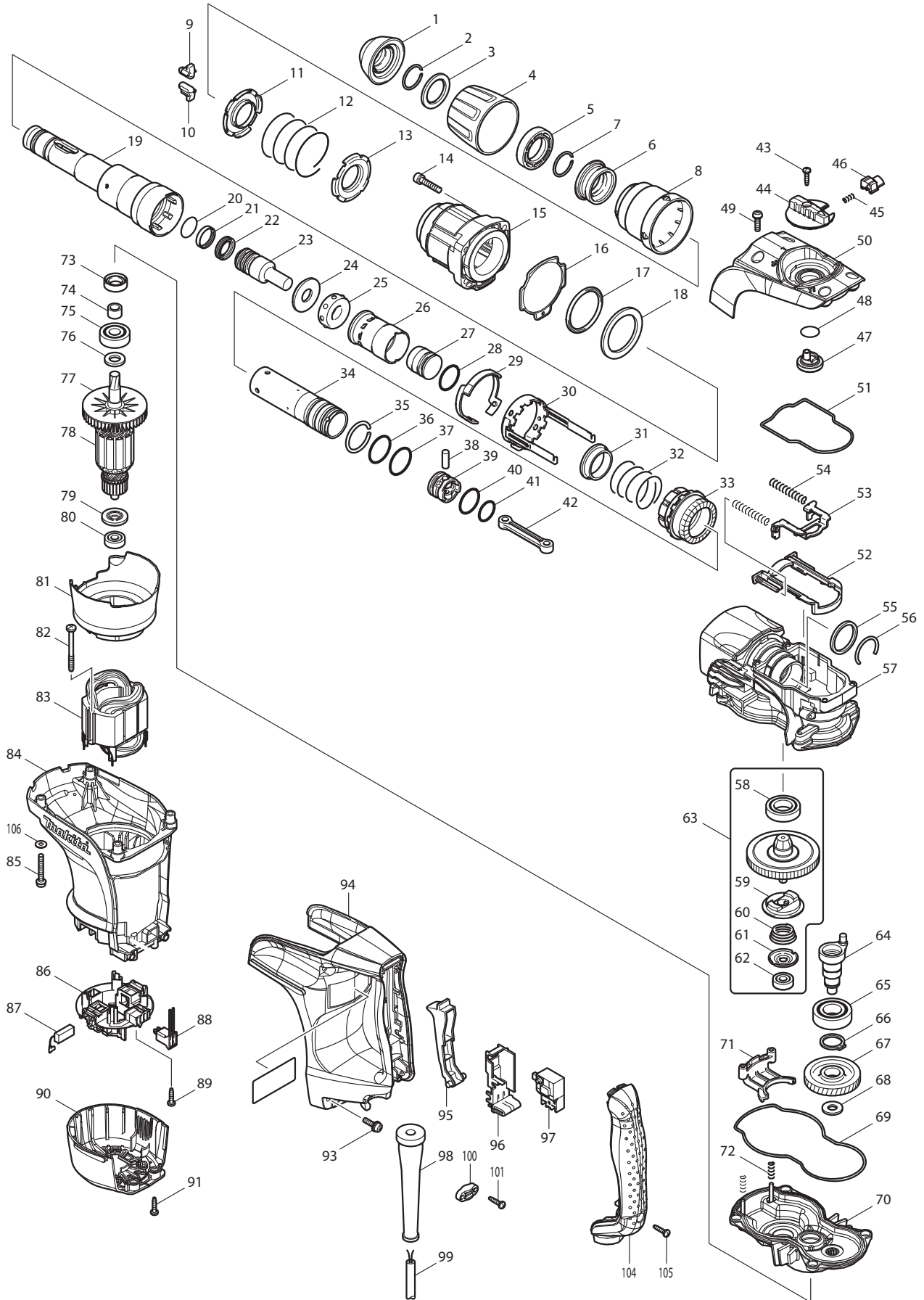




09-2010  
HR4002

# SDS-MAX 1-9/16" ROTARY HAMMER



Item No	Type	Ref	Part No	Description	Qty	Unit
001			286272-3	TOOL HOLDER CAP	1	PC.
002			231984-3	RING SPRING 25	1	PC.
003			267272-2	FLAT WASHER 28	1	PC.
004			419015-0	CHUCK COVER	1	PC.
005			419002-9	SPACER	1	PC.
006			324548-1	CHUCK RING	1	PC.
007			231984-3	RING SPRING 25	1	PC.
008			419016-8	RELEASE COVER	1	PC.
009			310161-1	TOOL RETAINER	1	PC.
010			310161-1	TOOL RETAINER	1	PC.
011			345579-7	SPRING GUIDE	1	PC.
012			233431-0	COMPRESSION SPRING 48	1	PC.
013			345579-7	SPRING GUIDE	1	PC.
014			922351-0	HEX. SOCKET HEAD BOLT M6X30	4	PC.
015	4		141993-3	* BARREL COMPLETE	1	PC.
		INC.	213490-0	* OIL SEAL 32	1	PC.
		INC.	233963-7	* RING SPRING 45	1	PC.
016	2		424565-2	SEAL SHEET	1	PC.
017			262116-1	URETHAN RING 45	1	PC.
018			267336-2	FLAT WASHER 45	1	PC.
019			324542-3	TOOL HOLDER	1	PC.
020			213317-4	O RING 20	1	PC.
021			213392-0	FLUORIDE RING 25	1	PC.
022			213281-9	X-RING 18	1	PC.
023			324569-3	IMPACT BOLT	1	PC.
024			324573-2	RING 17	1	PC.
025			421901-3	RUBBER RING 17	1	PC.
026			419003-7	SLIDE SLEEVE	1	PC.
027			324571-6	STRIKER	1	PC.
028			213962-5	O RING 22	1	PC.
029			419760-7	LOCK SLEEVE GUIDE	1	PC.
030	2		165633-9	LOCK SLEEVE	1	PC.
031			331709-6	RING 33	1	PC.
032			233448-3	COMPRESSION SPRING 37	1	PC.
033			227509-9	STRAIGHT BEVEL GEAR 25	1	PC.
034	2		326221-9	* CYLINDER 28.5	1	PC.
035			233935-2	RING SPRING 32	1	PC.
036			213406-5	O RING 30	1	PC.
037			213406-5	O RING 30	1	PC.
038			256197-5	PIN 7	1	PC.
039			419004-5	PISTON	1	PC.
040			213962-5	O RING 22	1	PC.
041			213379-2	O RING 21	1	PC.
042			419875-0	* CONECTING ROD	1	PC.
043			266326-2	TAPPING SCREW 4X18	1	PC.
044	2		450428-6	* CHANGE LEVER	1	PC.
045			233436-0	COMPRESSION SPRING 3	1	PC.
046			419873-4	LOCK BUTTON	1	PC.
047	2		450427-8	* LINK LEVER	1	PC.
048	2		213278-8	O RING 17	1	PC.
049			911231-5	PAN HEAD SCREW M5X20	4	PC.
050	2		168456-4	* CRANK CAP COVER COMPLETE	1	PC.
		INC.	419919-6	* CRANK CAP COVER	1	PC.
051	3		424566-0	* SEAL RING	1	PC.

Item No	Type	Ref	Part No	Description	Qty	Unit
052			419874-2	LINK PLATE GUIDE	1	PC.
053			345582-8	LINK PLATE	1	PC.
054			233432-8	COMPRESSION SPRING 7	2	PC.
055			257268-1	RING 33	1	PC.
056			233937-8	RING SPRING 31	1	PC.
057			158231-6	CRANK HOUSING COMPLETE	1	PC.
058			211323-3	BALL BEARING 6904LLU	1	PC.
059			324549-9	DRIVING FLANGE	1	PC.
060			233936-0	CONICAL COMPRESSIONSPRING19-27	1	PC.
061			345581-0	CUP WASHER 8	1	PC.
062			210005-4	BALL BEARING 608DDW	1	PC.
063	2		135508-6	TORQUE LIMITER ASS'Y	1	PC.
		INC.	267456-2	THIN WASHER 38	1	PC.
		INC.		Item No. 58-62		
064			324550-4	CRANK SHAFT	1	PC.
065			211332-2	BALL BEARING 6004LLU	1	PC.
066			961060-6	RETAINING RING S-20	1	PC.
067			226648-2	HELICAL GEAR 46	1	PC.
068			253180-3	FLAT WASHER 10	1	PC.
069	2		424551-3	SEAL RING	1	PC.
				GEAR HOUSING COMPLETE TYPE2 (After Feb 2012		
070	2		158232-4	Production)	1	PC.
071			419018-4	CHANGE PLATE	1	PC.
072			233433-6	COMPRESSION SPRING 5	2	PC.
073			213231-4	OIL SEAL 15	1	PC.
074			331596-3	SLEEVE 12	1	PC.
075			211137-0	BALL BEARING 6201LLU	1	PC.
076			253084-9	FLAT WASHER 12	1	PC.
077			241863-7	FAN 70	1	PC.
078			513696-3	ARMATURE ASS'Y 115V	1	PC.
		INC.		Item No. 74-77,79,80		
079			681644-1	INSULATION WASHER	1	PC.
080			210005-4	BALL BEARING 608DDW	1	PC.
081			419870-0	BAFFLE PLATE	1	PC.
082			266418-7	TAPPING SCREW 5X55	2	PC.
083	2		625775-6	FIELD 110V	1	PC.
084			419866-1	MOTOR HOUSING	1	PC.
085			922256-4	HEX. SOCKET HEAD BOLT M5X35	4	PC.
086			638393-1	BRUSH HOLDER UNIT	1	PC.
		INC.	266007-8	TAPPING SCREW BIND PT 3X10	4	PC.
		INC.	643816-6	BRUSH HOLDER	2	PC.
087	3		197244-2	CARBON BRUSH CB-351 2PC/SET W/ORIGIN	1	SET
088			638508-0	LEAD UNIT	1	PC.
089			266326-2	TAPPING SCREW 4X18	4	PC.
090			419867-9	REAR COVER	1	PC.
091			266326-2	TAPPING SCREW 4X18	2	PC.
092			863632-2	HR4002 NAME PLATE	1	PC.
093			911233-1	PAN HEAD SCREW M5X20	4	PC.
094			419868-7	HANDLE	1	PC.
095			419025-7	SWITCH LEVER	1	PC.
096			154626-1	SWITCH HOLDER COMPLETE	1	PC.
097	3		651922-3	SWITCH TG71B, SINGLE, W/O LOCK	1	PC.
098			682560-0	CORD GUARD 10	1	PC.
099			664256-5	CORD W/PLUG 2P-16-3.0M,SJ	1	PC.

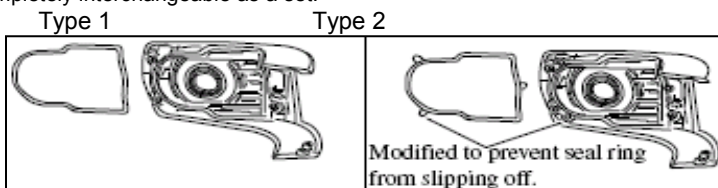
Item No	Type	Ref	Part No	Description	Qty	Unit
100			687123-7	STRAIN RELIEF	1	PC.
101			266326-2	TAPPING SCREW 4X18	2	PC.
104			419869-5	HANDLE COVER	1	PC.
105			266326-2	TAPPING SCREW 4X18	1	PC.
106			941101-4	FLAT WASHER 5	4	PC.
200			265701-9	SCREW M6X14 (F/GRIP ASSY)	1	PC.
201			266163-4	CUP SQUARE NECK BOLT M8X80 (F/GRIP ASSY)	1	PC.
202			344491-8	GRIP SPRING 68 (F/GRIP ASSY)	1	PC.
203			344492-6	PLATE (F/GRIP ASSY)	1	PC.
204			416299-1	SIDE GRIP BASE 68 (F/GRIP ASSY)	1	PC.
205			931302-2	HEX. NUT M6 (F/GRIP ASSY)	1	PC.
<b><u>ACCESSORIES</u></b>				<b>- See catalogue or visit <a href="http://www.makita.ca">www.makita.ca</a> for optional accessory -</b>		
A01	2		135209-6	GRIP 36 ASSEMBLY	1	PC.
		INC.	158131-0	GRIP 36 COMPLETE	1	PC.
		INC.		Item No. 200-205, A03		
A02	2		194683-7	GREASE VESSEL SET, 100CC, PUMP TYPE, FOR BIT	1	PC.
A03			321248-4	DEPTH GAUGE	1	PC.
A04			824798-3	PLASTIC CARRYING CASE	1	PC.
		INC.	163467-4	LATCH	2	PC.
A05	2		195195-3	HAMMER SERVICE KIT (OLD# 188049-1)	1	PC.
		INC.	213281-9	X RING 18 (Item No.26)	1	PC.
		INC.	213392-0	FLUORIDE RING 25 (Item No.25)	1	PC.
		INC.	213317-4	O RING 20 (Item No. 24)	1	PC.
		INC.	286285-4	TOOL HOLDER CAP (Item No.1)	1	PC.
		INC.	A-90582	MAKITA GREASE R NO.00 30CC (1OZ)	2	PC.
		INC.	213962-5	O RING 22 (Item No.32)	2	PC.
A06			196074-8	SDS-MAX DUST EXTRACTION ATTACHMENT (See PartsBreakdown - 196074-8)	1	PC.
		INC.	142350-8	HOSE COMPLETE 28 - 1.5	1	PC.
		INC.	415021-3	HOSE JOINT	1	PC.
		INC.	454749-8	HOSE HOLDER A	1	PC.
		INC.	454750-3	HOSE HOLDER B	1	PC.
		INC.	454809-6	HOSE HOLDER C	1	PC.
		INC.	-----	PLASTIC CASE LABEL (N/A Individually)	1	PC.
		INC.	-----	CARTON (Master) (N/A Individually)	1	PC.
		INC.	-----	Instruction Manual 30Language (N/A Individually)	1	PC.
		INC.	195545-2	FRONT CUFF 38 PKG (BULK# 417766-9)	1	PC.
		INC.	195547-8	FRONT CUFF 22	1	PC.
A07	1		196571-4	DUST EXTRACTOR ATTACHMENT SET	1	PC.
	2		199019-5	DUST EXTRACTOR ATTACHMENT SET	1	PC.
A11			805512-6	HR4002 MODEL NO. LABEL	1	PC.

**SERVICE CHANGES**

**1. Changes on Crank Cap Complete, etc.**

Item No.	Description	Type 1	Type 2	Type 3
50	CRANK CAP COVER COM	168441-7		168456-4
51	SEAL RING	424020-4	424084-8	424566-0

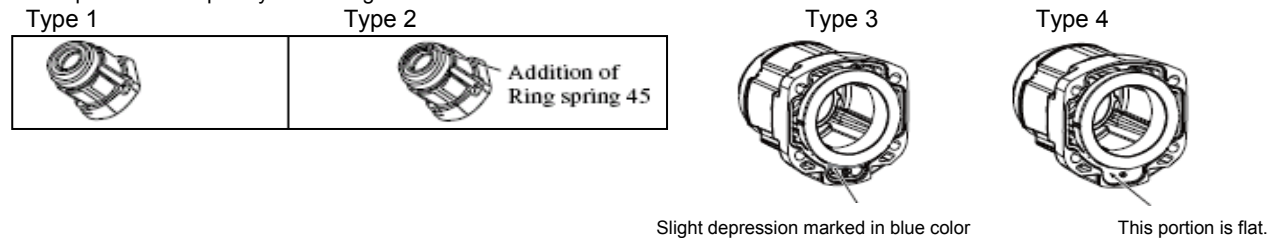
Above parts are completely interchangeable as a set.



**2. Changes on Barrel Complete**

Item No.	Description	Type 1	Type 2	Type 3	Type 4
15	Barrel Complete	158230-8	158568-1 (W/O BLUE MARK)	158568-1 (W/BLUE MARK)	141993-3
15	Oil Seal (component of Item 15)	213490-0			
15	Ring Spring (component of Item 15)	-----	233963-7		

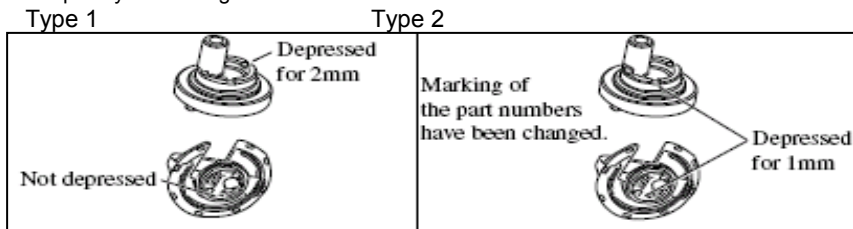
Above parts are completely interchangeable as a set.



**3. Changes on Change Lever & Link Lever**

Item No.	Description	Type 1	Type 2
44	Change Lever	419872-6	450428-6
47	Link Lever	419871-8	450427-8

Above parts are completely interchangeable as a set.



**4. Changes on Cylinder 28.5**

Item No.	Description	Type 1	Type 2
34	Cylinder 28.5	324570-8	326221-9
42	Connecting Rod	419875-0	

**NOTE:**

The holes of Cylinder 28.5 have been reduced to two from four to improve the durability of Connecting rod.  
Change Cylinder 28.5 to Type 2 one when Connecting rod is replaced with new one for repair.